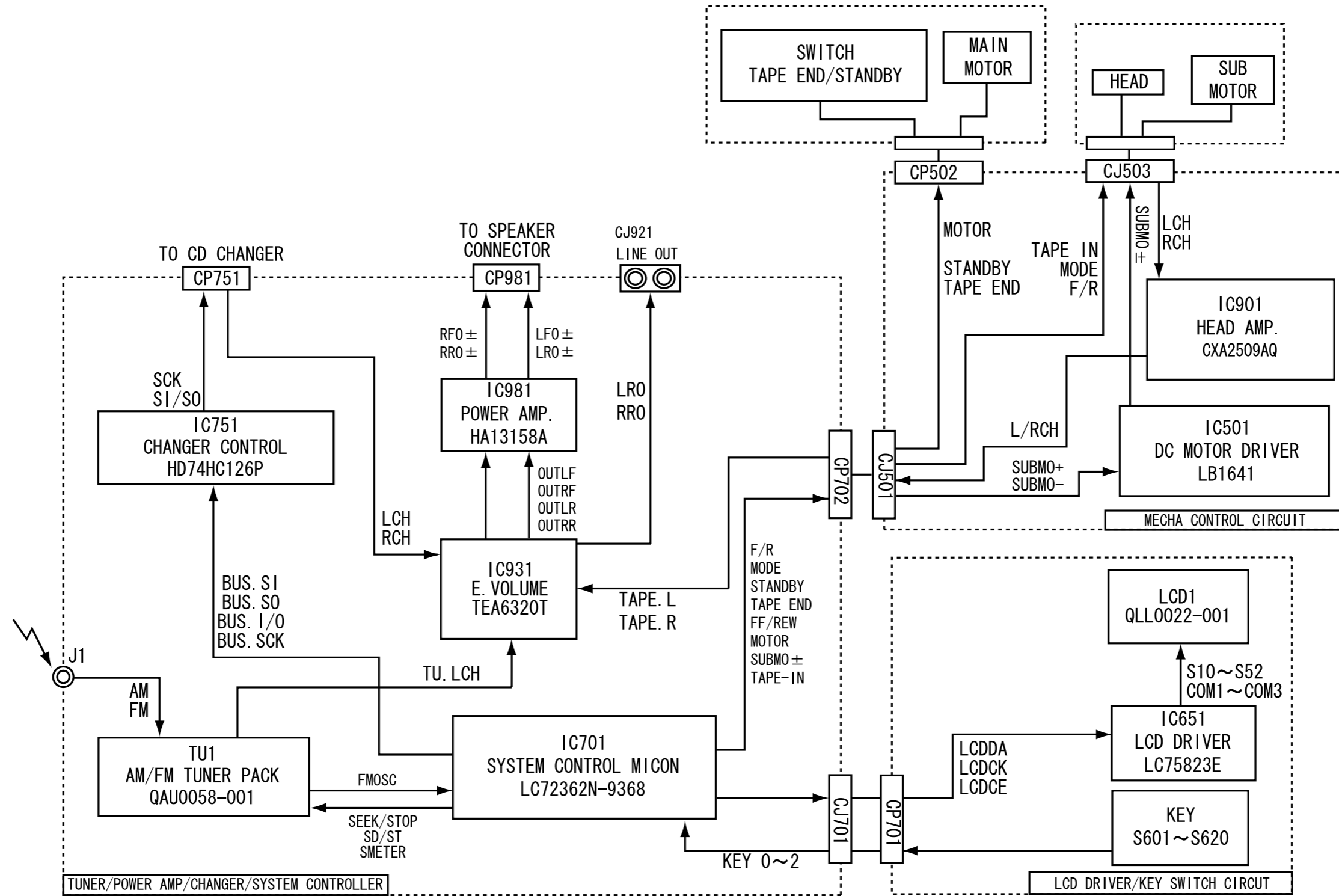
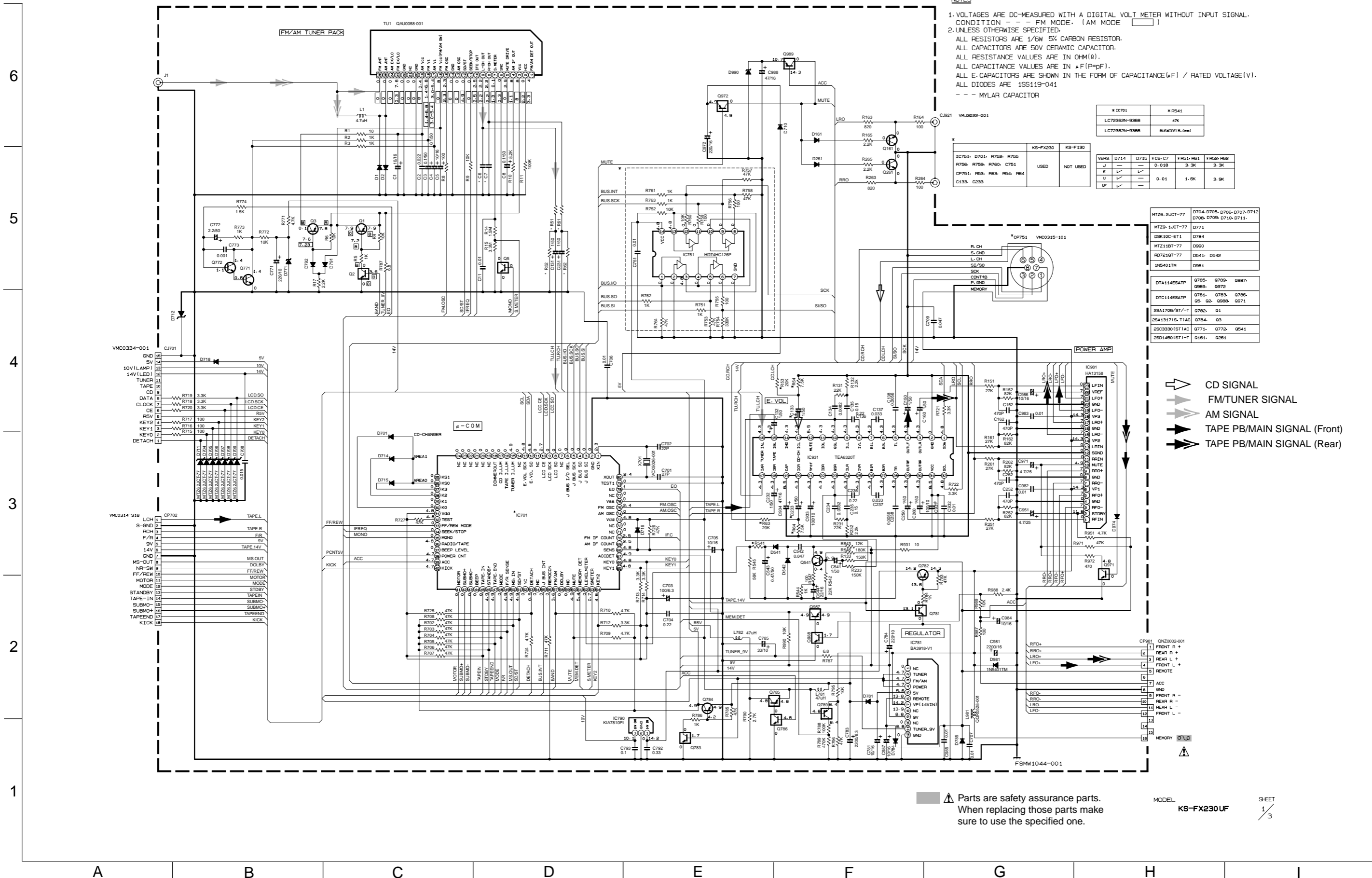


Block diagram



# Standard schematic diagrams

## ■ Main amp. section



**NOTES**

- VOLTAGES ARE DC-MEASURED WITH A DIGITAL VOLT METER WITHOUT INPUT SIGNAL. CONDITION --- FM MODE. (AM MODE [ ])
- UNLESS OTHERWISE SPECIFIED, ALL RESISTORS ARE 1/6W 5% CARBON RESISTOR. ALL CAPACITORS ARE 50V CERAMIC CAPACITOR. ALL RESISTANCE VALUES ARE IN OHM(Ω). ALL CAPACITANCE VALUES ARE IN μF(P=PF). ALL E-CAPACITORS ARE SHOWN IN THE FORM OF CAPACITANCE(μF) / RATED VOLTAGE(V). ALL DIODES ARE 1SS119-041 --- MYLAR CAPACITOR

* IC701	* R541
LC72362N-9368	47K
LC72362N-9368	8.0K(1/5.0mm)

IC751- D701- R752- R755	KS-FX230	KS-F130
R706- R709- R760- C751	USED	NOT USED
CP751- R53- R53- R54- R54		
C133- C233		

VERS.	D714	D715	*C6- C7	*R51- R51	*R52- R52
J	✓	✓	0.018	3.3K	3.3K
E	✓	✓			
U	✓	✓			
UF	✓	✓			

MT26-2JCT-77	D704- D705- D706- D707- D712
MT29-1JCT-77	D771
DSK10C-ET1	D784
MTZ11BT-77	D990
PS7210T-77	D541- D542
INS401TM	D981
DTA114ESATP	Q785- Q789- Q987- Q989- Q972
DTC114ESATP	Q781- Q783- Q786- Q5- Q2- Q988- Q971
2SA170B/ST-T	Q782- Q1
2SA13171S-T1AC	Q784- Q3
2SC33301BT1AC	Q771- Q772- Q541
2SD14501BT1-T	Q161- Q261

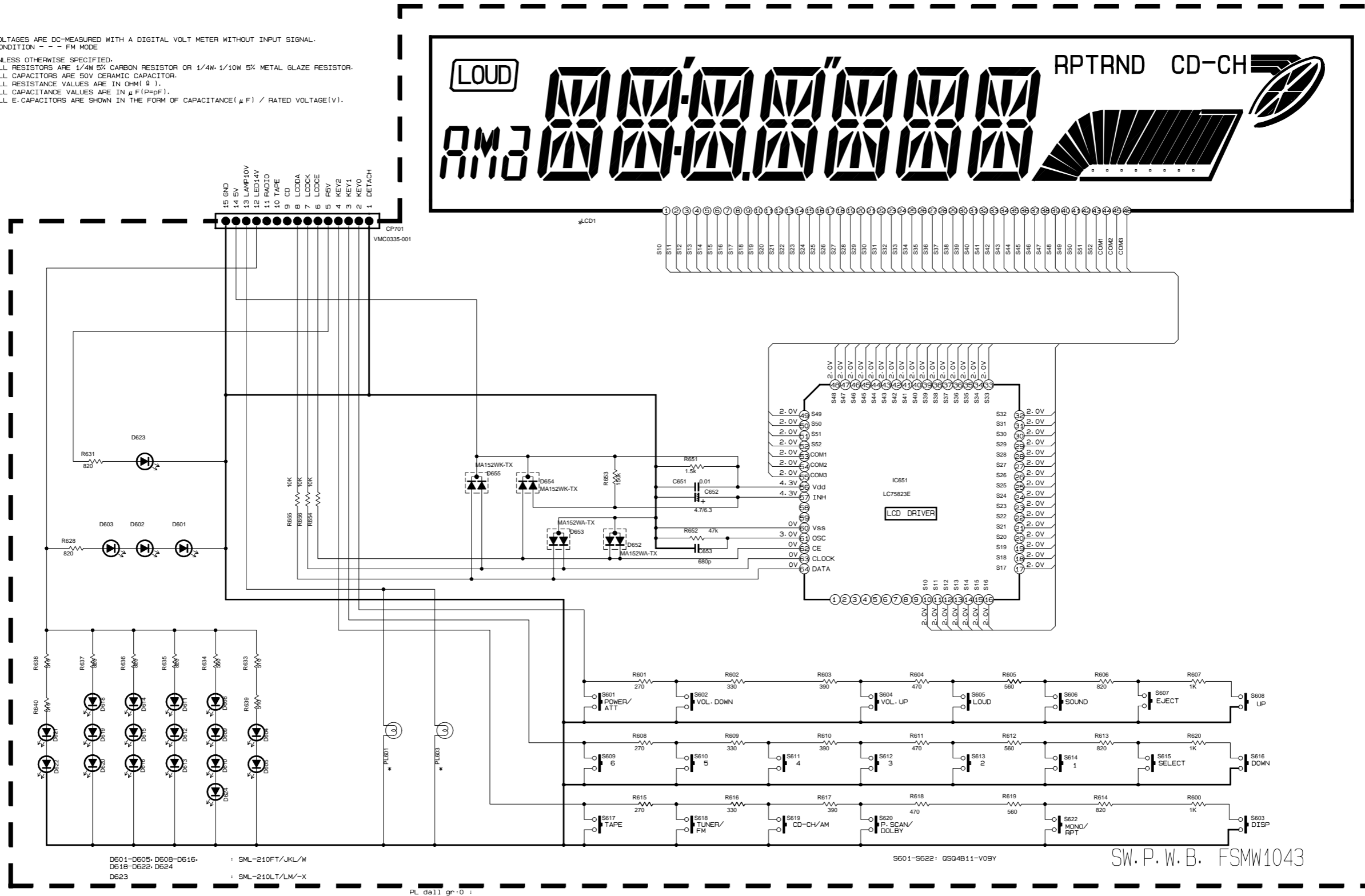
- ▶ CD SIGNAL
- ▶ FM/TUNER SIGNAL
- ▶ AM SIGNAL
- ▶ TAPE PB/MAIN SIGNAL (Front)
- ▶ TAPE PB/MAIN SIGNAL (Rear)

⚠ Parts are safety assurance parts. When replacing those parts make sure to use the specified one.

■ LCD & key switch section

NOTES

1. VOLTAGES ARE DC-MEASURED WITH A DIGITAL VOLT METER WITHOUT INPUT SIGNAL.  
CONDITION - - - FM MODE
2. UNLESS OTHERWISE SPECIFIED,  
ALL RESISTORS ARE 1/4W 5% CARBON RESISTOR OR 1/4W-1/10W 5% METAL GLAZE RESISTOR.  
ALL CAPACITORS ARE 50V CERAMIC CAPACITOR.  
ALL RESISTANCE VALUES ARE IN OHM (Ω ).  
ALL CAPACITANCE VALUES ARE IN μ F (P=PF).  
ALL CAPACITANCE VALUES ARE IN μ F (P=PF).  
ALL E. CAPACITORS ARE SHOWN IN THE FORM OF CAPACITANCE(μ F) / RATED VOLTAGE(V).



D601-D605, D608-D616, D618-D622, D624 : SML-210FT/JKL/W  
D623 : SML-210LT/LM-X

S601-S622: QSQ4B11-V09Y

SW. P. W. B. FSMW1043

Version	J. U. UF	E
Ref No.		
PL601, PL603	QLL0022-001	QLL0024-001
LCD1	QLD0034-001	QLD0023-001

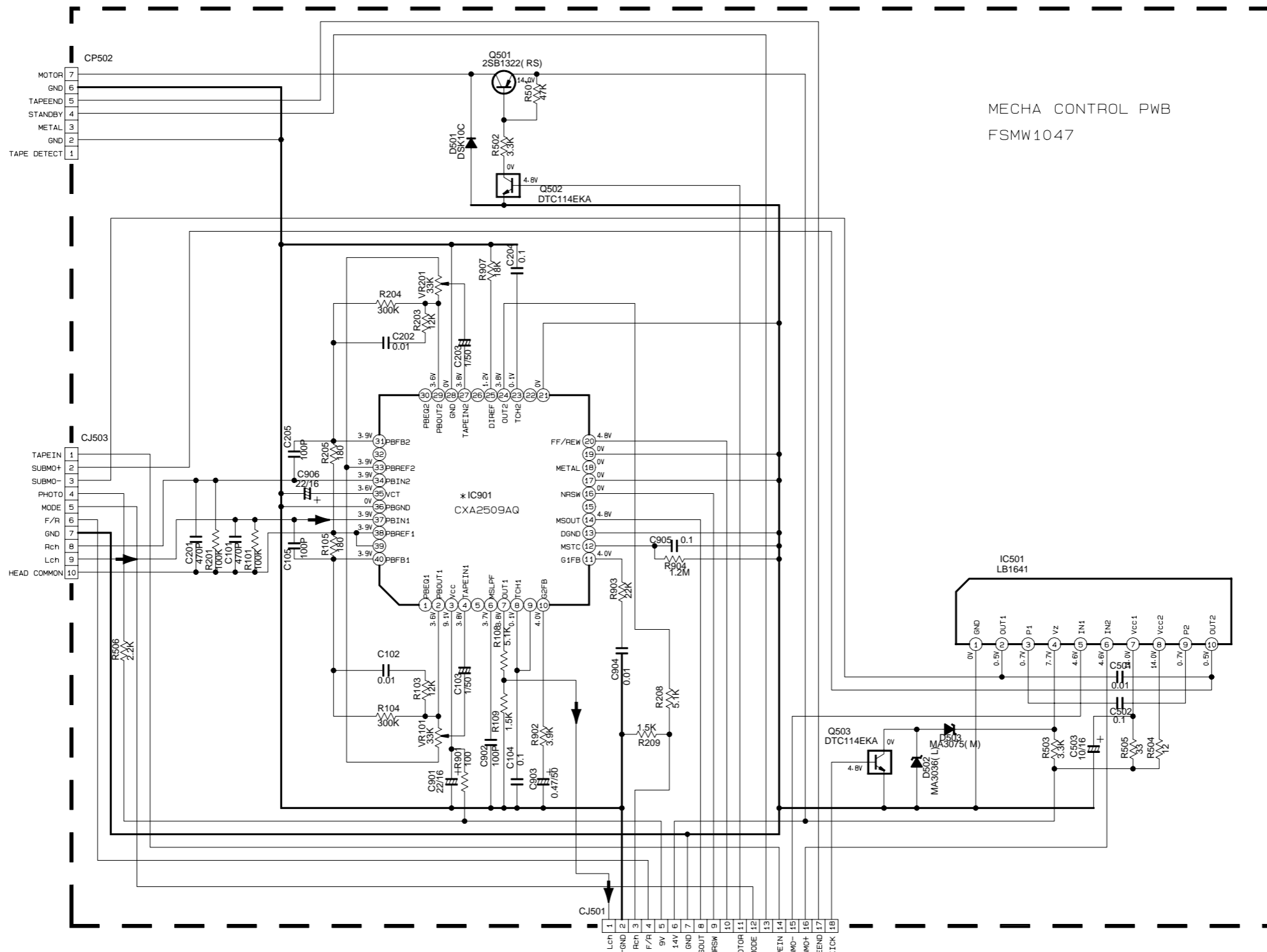
MODEL KS-FK230 UF

SHEET 2/3

6  
5  
4  
3  
2  
1

A B C D E F G H I

■ Mecha control section



MECHA CONTROL PWB  
FSMW1047

NOTES

- 1. VOLTAGES ARE DC-MEASURED WITH A DIGITAL VOLT METER WITHOUT INPUT SIGNAL.  
CONDITION----TAPE MODE.
- 2. UNLESS OTHERWISE SPECIFIED.  
ALL RESISTORS ARE 1/4W ±5% OR 1/10W ±5% METAL GLAZE RESISTOR.  
ALL CAPACITORS ARE 50V CERAMIC CAPACITOR.  
ALL RESISTANCE VALUES ARE IN OHM(Ω).  
ALL CAPACITANCE VALUES ARE IN #F(P#PF).  
ALL E. CAPACITORS ARE SHOWN IN THE FORM OF CAPACITANCE(#F)/RATED VOLTAGE(V)  
TF-----TF CAPACITOR

▶ TAPE PB/MAIN SIGNAL

MODEL  
KS-FX230 UF

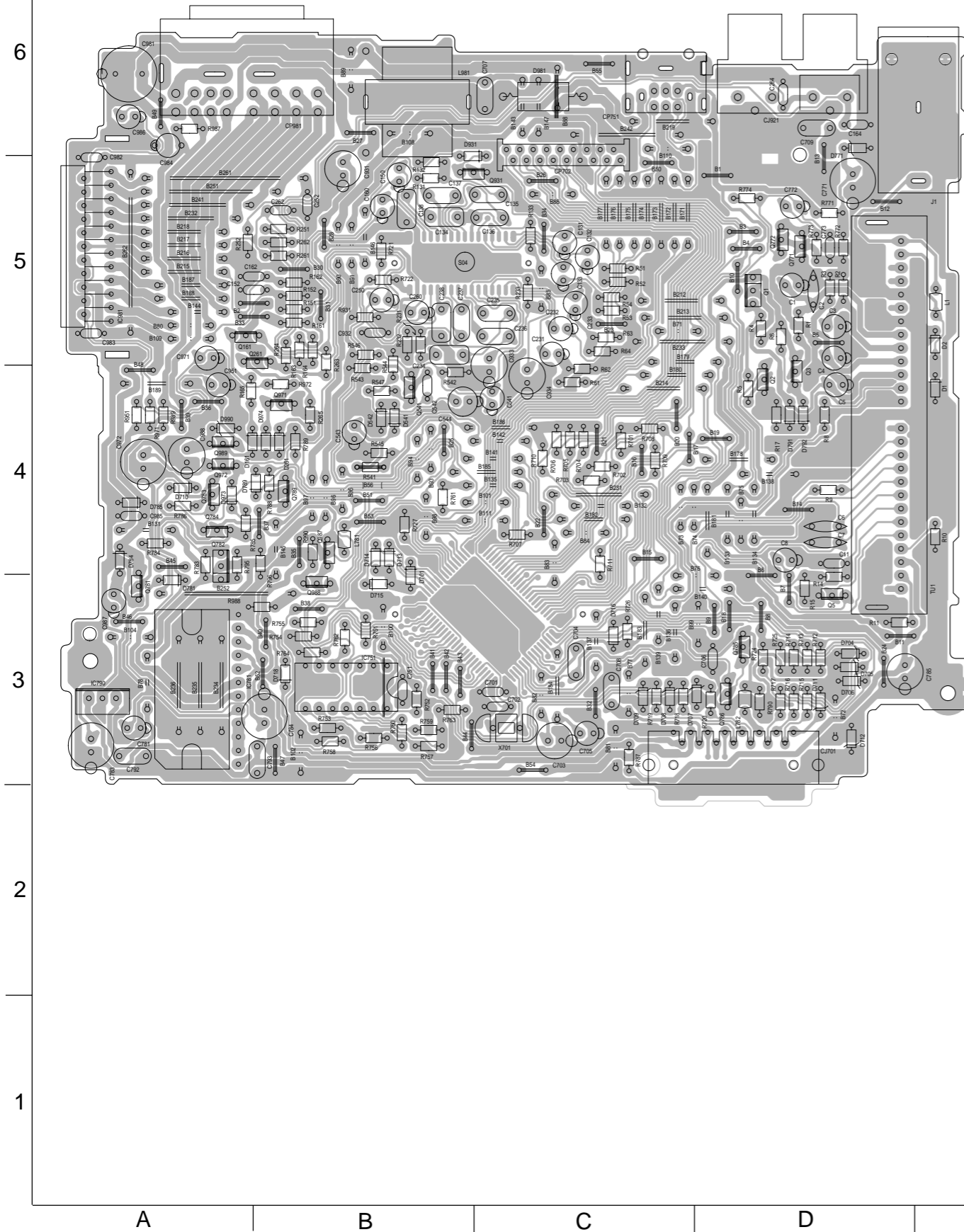
SHEET  
3/3

6  
5  
4  
3  
2  
1

A B C D E F G H I

# Printed circuit boards

■ Main board (Forward side)



■ Main board (Reverse side)

